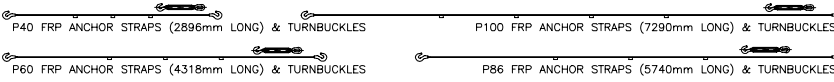
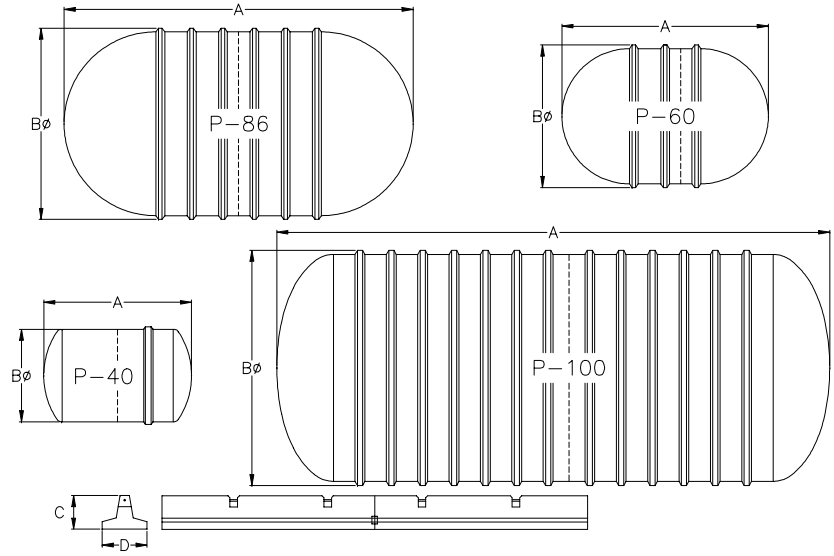


ZCL *PREZERVER*™ TANK SPECIFICATION SHEET
 FOR P-40, P-60, P-86, AND P-100 SERIES
 DOUBLE WALL TANKS WITH ZCL TANK ANCHORS & STRAPS



MODEL #	ACTUAL CAPACITY	DIMENSION (mm)				NO. OF ANCHORS	NO. OF STRAPS	NOM. WEIGHT (kg)	
		A	B	C	D			TANK	ANCHORS
P40DW - 2,500 L	2,538 L	2303	1256	305	457	2	2	165	927
P40DW - 5,000 L	5,073 L	4380	1256	305	457	2	2	293	1,763
P60DW - 5,000 L	5,520 L	2774	1930	457	610	2	2	404	1,842
P60DW - 10,000 L	10,002 L	4525	1930	457	610	2	2	662	3,005
P60DW - 15,000 L	15,339 L	6599	1930	457	610	2	2	867	4,382
P60DW - 20,000 L	20,042 L	8433	1930	457	610	2	4	1,043	5,600
P60DW - 25,000 L	25,135 L	10412	1930	457	610	4	4	1,200	6,914
P86DW - 15,000 L	15,003 L	3980	2590	457	610	2	2	744	2,643
P86DW - 20,000 L	20,523 L	5134	2590	457	610	2	2	918	3,409
P86DW - 25,000 L	25,006 L	6073	2590	457	610	2	2	1,051	4,032
P86DW - 30,000 L	30,689 L	7259	2590	457	610	2	4	1,228	4,820
P86DW - 35,000 L	35,003 L	8160	2590	457	610	2	4	1,357	5,418
P86DW - 40,000 L	40,854 L	9394	2590	457	610	4	4	1,538	6,231
P86DW - 45,000 L	45,541 L	10361	2590	457	610	4	4	1,675	6,880
P86DW - 50,000 L	50,004 L	11300	2590	457	610	4	4	1,807	7,503
P86DW - 60,000 L	60,541 L	13501	2590	457	610	6	6	2,000	8,965
P86DW - 65,000 L	65,407 L	14522	2590	457	610	6	6	2,200	9,643
P100DW - 50,000 L	50,228 L	7449	3188	457	610	4	4	2,699	4,946
P100DW - 60,000 L	60,219 L	8827	3188	457	610	4	6	2,961	5,861
P100DW - 75,000 L	75,288 L	10363	3188	457	610	6	6	3,371	7,240
P100DW - 90,000 L	90,996 L	13068	3188	457	610	6	8	3,896	8,677
P100DW - 100,000 L	100,261 L	14345	3188	457	610	6	8	4,158	9,525

DRAWING NO.: M/E/5224.2 SCALE: N.T.S. APP'D: DATE: DRN: LJB DATE: JAN 27/99

DATE: SEP 17/02 REVISION: MODIFIED TANK WEIGHTS

ZCL COMPOSITES INC. PHONE: 1-800-661-8265 FAX: 1-780-466-6126